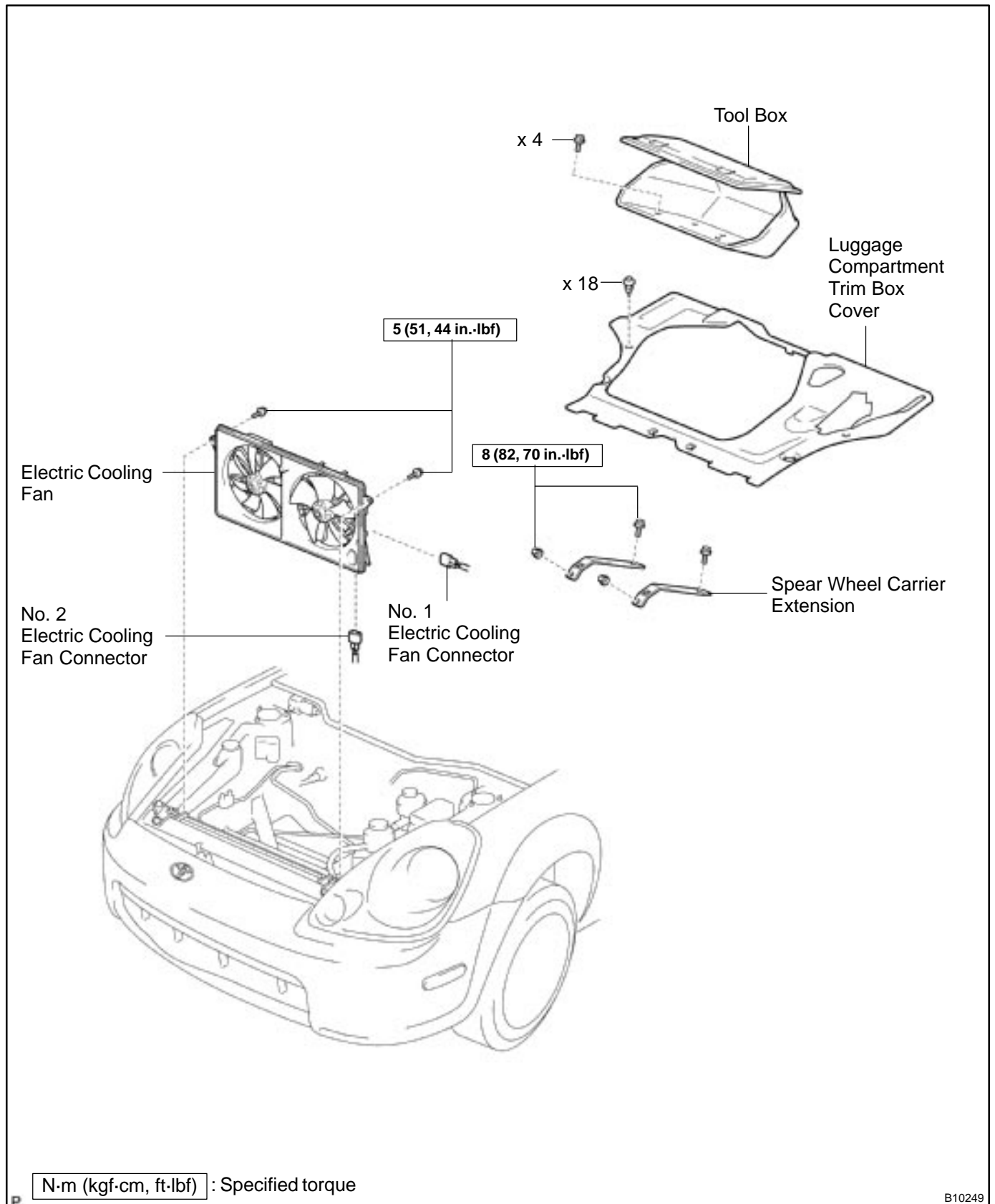
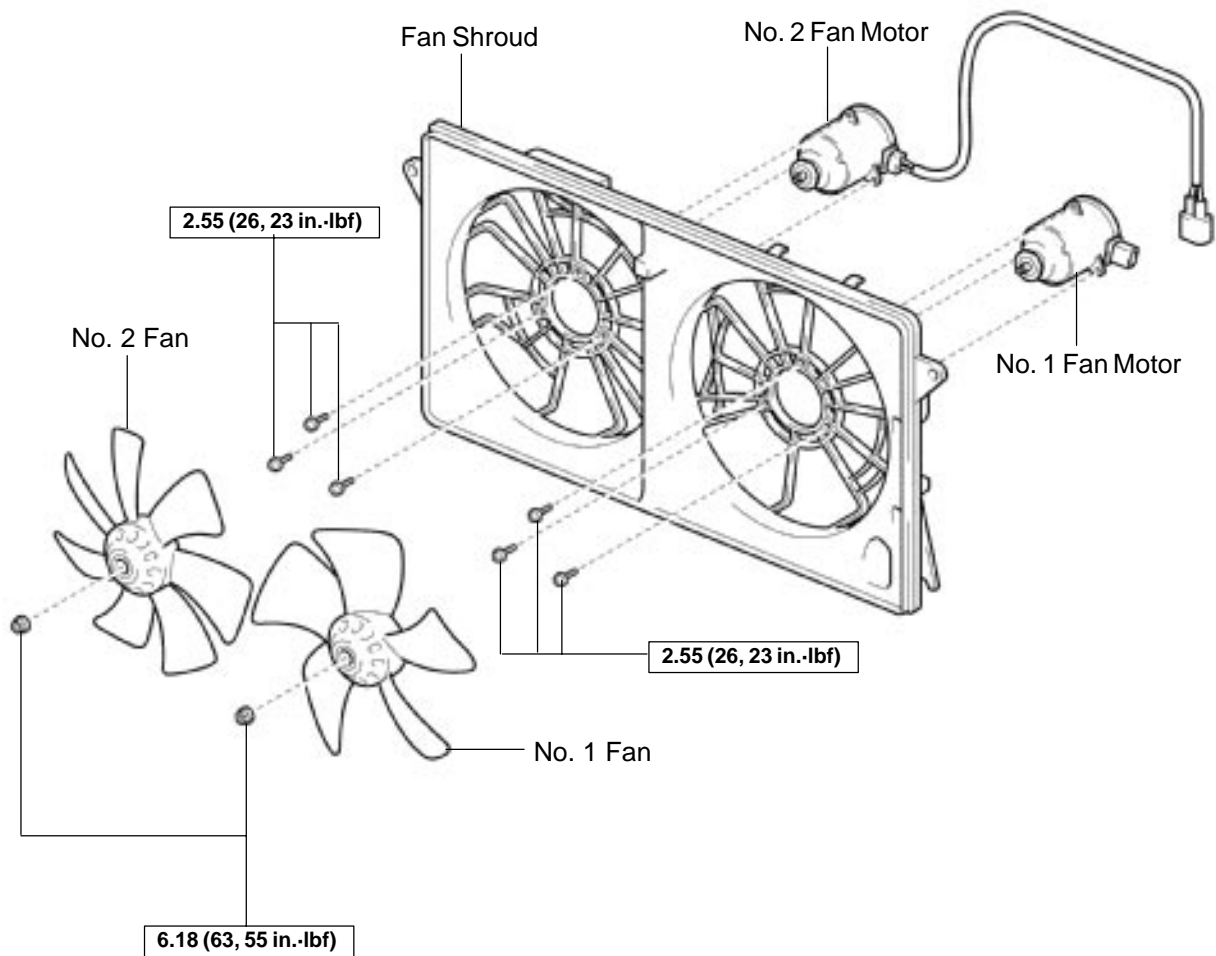


COMPONENTS



B10249



N·m (kgf·cm, ft·lbf) : Specified torque

B10250